

CORNER CABINET



610 SERIES DRAWER CABINET

Overall Dimensions:

1000 (w) x 1000 (d) x 900 mm (h)

Shipping Dimensions:

1000 (w) x 1000 (d) x 900 mm (h)

Shipping Weight: 57.7 kg

Material:

Top:

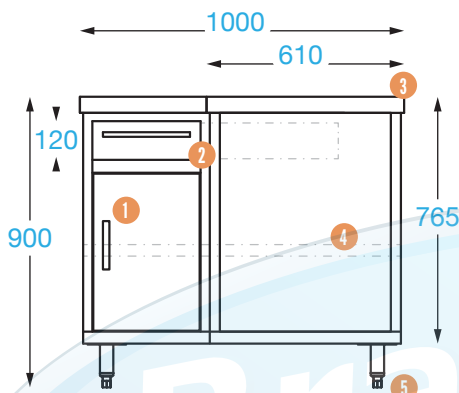
1.2 mm 304 grade stainless steel

Door / Side / Internal:

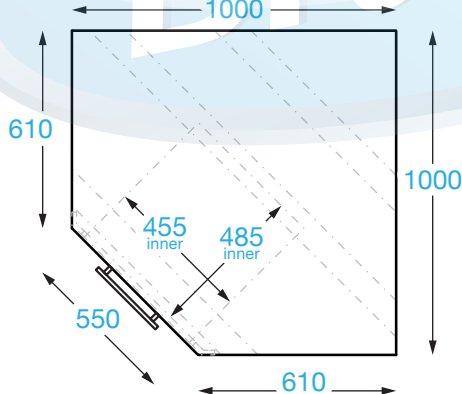
0.8 mm 430 grade stainless steel

This 610 mm cabinet range is modular to the Brayco 610 mm deep sinks, splashbacks and benches.

FRONT



TOP



COMPONENTS

- | | | |
|---|-----------------|--|
| 1 | Sliding doors | Magnet latching hinged door |
| 2 | Drawer | Solid runners - STRONG
Single drawer - internal: 455 x 485 x 90mm |
| 3 | Working Surface | Double skinned solid core construction |
| 4 | Inner shelf | 0.8 mm (height adjustable) |
| 5 | Adjustable feet | Adjustable up to 55 mm |
| | Castors | 5 x lockable castors |

! It is important that your stainless steel is kept clean to extend the lifetime of the product.

PRODUCT CODE: CABCU

Brayco Stainless Steel is made from 95% recycled materials

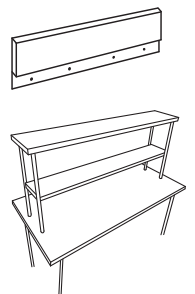
FEATURES AND BENEFITS

- High Grade Stainless Steel.
- Castors or Feet: Choose from adjustable feet or lockable castors.
- Extra Strong: Legs and castors are attached by a thick steel plate with 4 bolts. Incredibly sturdy.
- Hinged Doors: 1 easy access doors, offers plenty of storage.
- Drawer: Deep drawers with solid runners. Strong.
- Internal Shelf: Height adjustable.
- Open both sides for integration with cabinets.
- Supplied Fully Assembled: Simply attach feet/castors. No extra cost.



ADDITIONAL ITEMS

- Splashback Extension: Fix to the back and/or side of your cabinet.
- Overshelves: 2 tier overshelves sit on top of bench.



Brisbane • Sydney • Melbourne • Hobart • Adelaide • Perth • Auckland
For more info please contact your nearest Brayco Branch 1300 272 926 | brayco.com.au

Whilst all care has been taken when compiling this information, designs & dimensions shown are indicative only and should not be relied upon without prior approval. Brayco reserves the right to make changes without notice.