


# CABINET WITH SINK 610mm DEEP

Please note:  
Tap not included.



 This 610 mm cabinet range is modular to the Brayco 610 mm deep sinks, splashbacks and benches.

## 610 SERIES SINK CABINET

### Overall Dimensions:

610 (w) x 610 (d) x 900 mm (h)

### Bowl Size:

400 (w) x 400 (d) x 250 mm (h)

### Capacity: 40 L

### Shipping Dimensions:

610 (w) x 610 (d) x 900 mm (h)

### Shipping Weight: 36.6 kg

### Material:

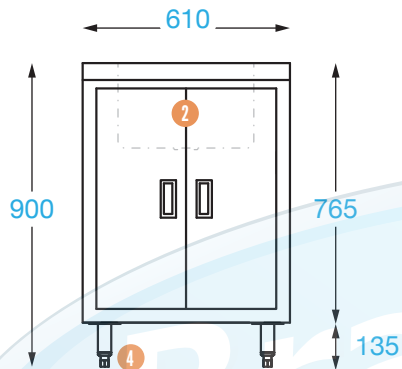
Top: 1.2 mm 304 grade stainless steel

Sink: 1 mm 304 grade stainless steel

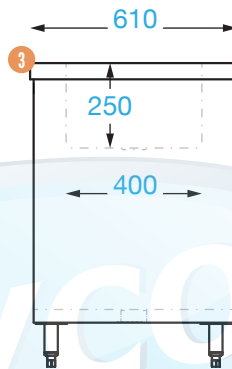
Door / Side / Internal:

0.8 mm 430 grade stainless steel

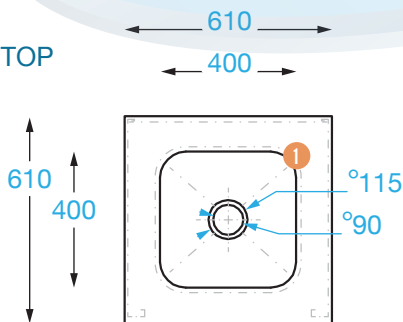
FRONT




SIDE





TOP



**PRODUCT CODE:** CABSINK610


 Brayco Stainless Steel is made from 95% recycled materials

### FEATURES AND BENEFITS

- High Grade Stainless Steel.
  - Castors or Feet:  
Choose from adjustable feet or lockable castors.
- 
- 
- **Construction:** Our units are fully stainless steel. Very sturdy.
  - **Extra strong:** Legs or castors are attached by a thick steel plate with 4 bolts.
  - **2 hinged doors:** Offer plenty of under cabinet storage.
  - **Sink drainer Included.**
  - **Fix your tap to top, wall or side.**
  - **Supplied Fully Assembled:** Simply attach feet/castors. No extra cost.

### COMPONENTS

- |                          |  |
|--------------------------|--|
| <b>1</b> Bowl            | 40 litre capacity                      |
| <b>2</b> Hinged doors    | 2 hinged doors with magnet clasp       |
| <b>3</b> Working Surface | Double skinned solid core construction |
| <b>4</b> Adjustable feet | up to 55 mm (standard)                 |
| Castors                  | 4 x lockable castors (optional)        |

 It is important that your stainless steel is kept clean to extend the lifetime of the product.



Brisbane • Sydney • Melbourne • Hobart • Adelaide • Perth • Auckland  
For more info please contact your nearest Brayco Branch 1300 272 926 | [brayco.com.au](http://brayco.com.au)