

DOUBLE SINK WITH RIGHT HAND BENCH



This 700 mm sink range is modular to the Brayco 700 mm deep cabinets and splashback benches.



700 SERIES SINK

Overall Dimensions:

1700 (w) x 700 (d) x 1050 mm (h)

Bowl Size:

400 (w) x 450 (d) x 300 mm (h) each

Capacity: 54 L each

Shipping Weight: 35.1 kg

Shipping Dimensions:

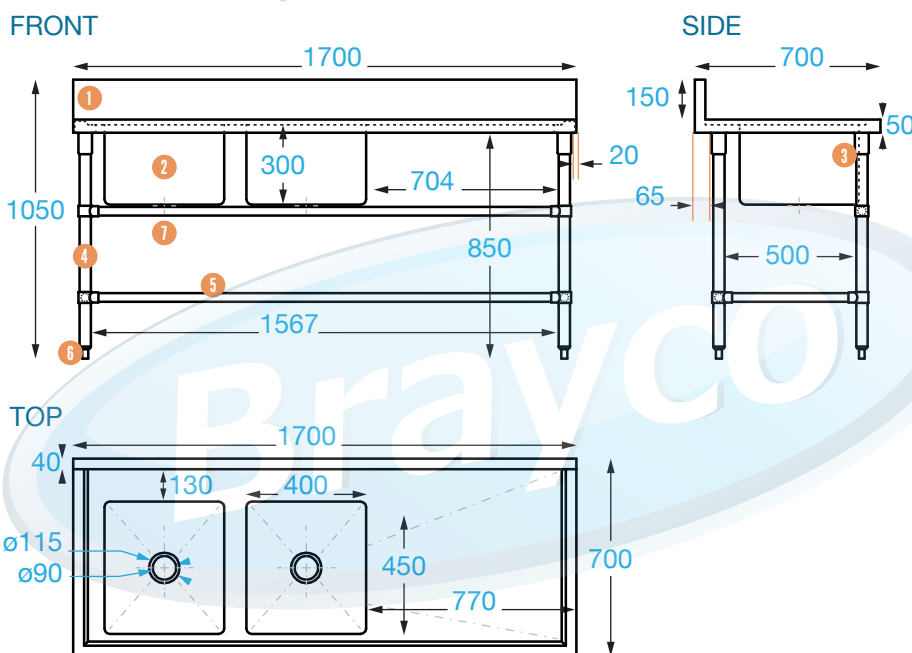
Sink: 1700 (w) x 700 (d) x 460 mm (h)

Legs: 1570 (w) x 170 (d) x 1000 mm (h)

Material:

Top: 1.2 mm 304 grade stainless steel

Legs: 201 grade 42 mm diameter stainless steel



PRODUCT CODE: DSR17

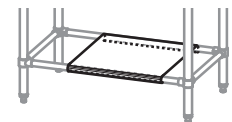
Brayco Stainless Steel is made from 95% recycled materials

FEATURES AND BENEFITS

- Sink drainer Included.
- Construction: Our units are fully stainless steel. Very sturdy.
- Bowl: Fully welded for strength and superior durability.
- Tap Location: Untapped to allow for universal plumbing as required.
- Bar work: Fully adjustable to accommodate glass or dishwasher, shelf etc.
- Supplied Flat Packed: Simple assembly, instructions included.

OPTIONS

- **Splashback Extension:** Convert your sink to a corner unit.
- **Under-sink shelf:** 650 mm long stainless steel shelf.



Code: SHELFSINK700

COMPONENTS	DIMENSIONS
1 Splashback	150 mm (high), 40 mm (deep)
2 Fully welded bowls	52 ltr capacity
3 Welded sockets	1.2 mm
4 Stainless legs	Ø 42 mm
5 Rails (back, front & side)	Ø 32 mm
6 Adjustable feet	up to 35 mm (max)
7 Waste outlet	90 mm (diameter)

Can accommodate an under bench dishwasher of up to 850 x 580 x 550 mm (HxLxD).

These products are compliant with all applicable Australian health department regulations.

It is important that your stainless steel is kept clean to extend the lifetime of the product.



Brisbane • Sydney • Melbourne • Hobart • Adelaide • Perth • Auckland
 For more info please contact your nearest Brayco Branch 1300 272 926 | brayco.com.au