

HANDS FREE SINK MIXER TAP



MIXER TAP

Overall Dimensions:

See below drawings

Bench Hole Size: 35 mm

Flow Rate: 7.5L/min

Shipping Dimensions:

360 (w) x 210 (d) x 90 mm (h)

Shipping Weight: 0.9 kg

Material: Premium metal construction. Finishing resists corrosion and tarnishing.

PRODUCT CODE: HANDFBM

FEATURES AND BENEFITS

- Red / Blue Indexing on Handle
- Single Lever Handle:
 - Allows for on / off activation
- Ceramic Disc Valves:
 - Exceed industry longevity standards for a lifetime of durable performance
- Watermark and WELS Approved
- Minimal Assembly Required
- Hygienic Hands Free Design

- Valve Body: DR Brass
- Drain included: NO
- Spout Length: 108 mm
- Spout Height: 47 mm

INSTALLATION

- Single-hole.
- Bench Hole Size: 35mm

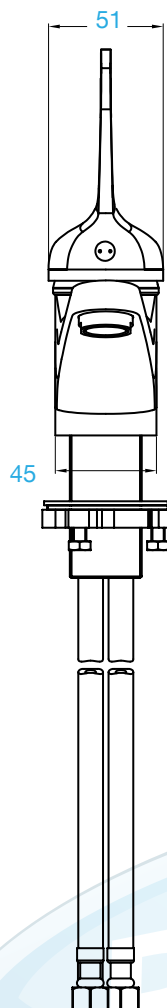
CODES / STANDARDS

- WELS Registration Number T30762 (V)
- Nicene Number 1379
- Water Efficiency: 4 Star 7.5L/min Trigger Valve

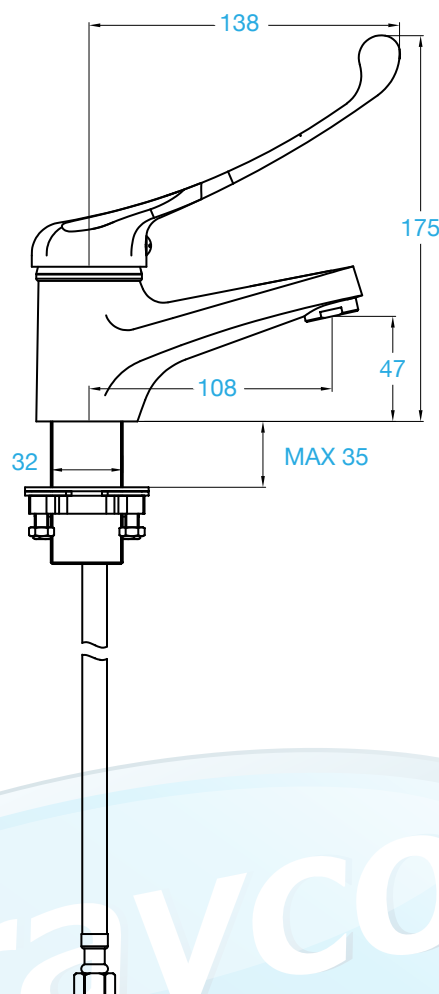


Product has been registered according to the requirements of the WELS standard (AS/NZS 6400:2016 Water efficient products - Rating and labeling).

FRONT



SIDE



Brayco

Brisbane • Sydney • Melbourne • Hobart • Adelaide • Perth • Auckland

For more info please contact your nearest Brayco Branch 1300 272 926 | brayco.com.au